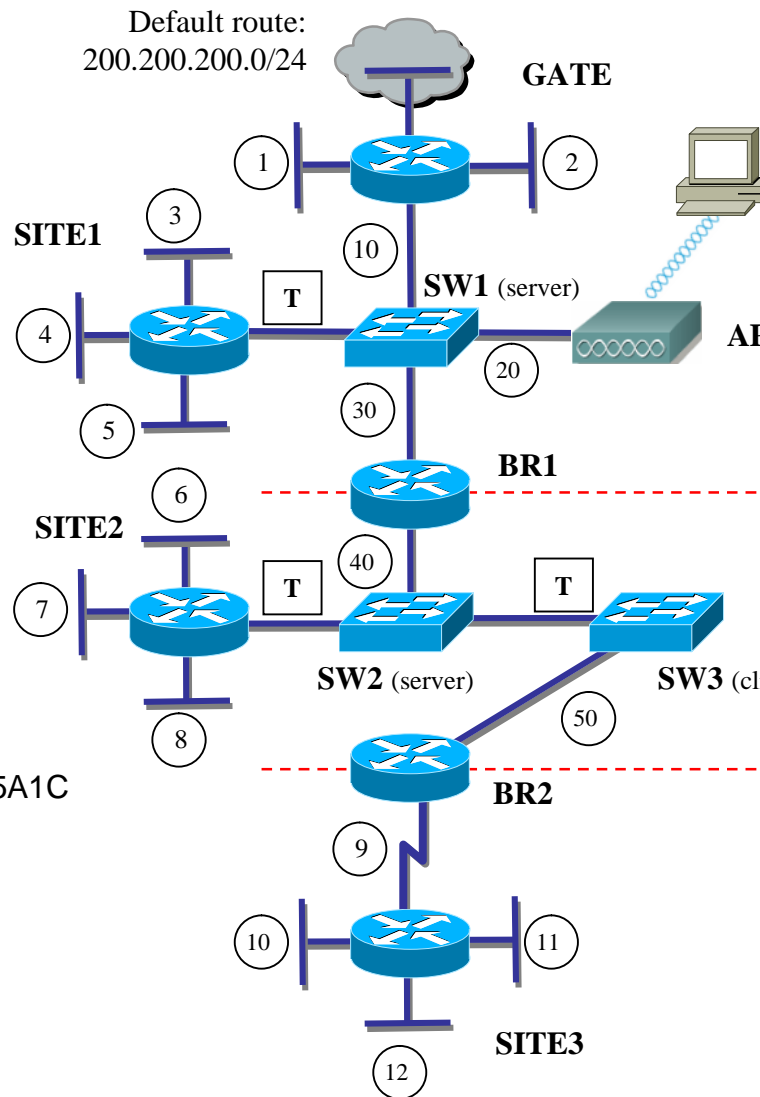


# OpenLab2

Ra:+1  
 Rb:+2  
 Rc:+3  
 Rd:+4  
 Re:+5  
 Rf:+6  
 Rg:+7  
 SW1:+8  
 SW2:+9  
 SW3:+10

**OSPF Authentication:**  
 key-id=1  
 HIDDEN password=055A1C  
 MD5 level 7  
**RIPv2 Authentication:**  
 key=2  
 key-string=blue123  
 MD5  
**EIGRP Authentication:**  
 key=3  
 key-string=red123  
 MD5



## WLAN

Local IP:172.16.0.0/24  
 DNS: 203.162.0.181  
 210.245.0.11

Mode: Mixed  
 SSID: CCNA  
 Channel: 11  
 Authentication: Auto  
 Encryption: WPA2  
 Access Restriction:  
 - deny access to *www.bbc.com* website  
 - deny Telnet traffics

## VLANS

Vlan10: technic  
 Vlan20: staff  
 Vlan30: admin

## RIP ver2

133.33.X.0/24

## VTP ver2

domain name: BKACAD  
 password: cisco

## VLANS

Vlan40: teacher  
 Vlan50: student

## OSPF

155.55.X.0/24

## EIGRP, AS=77

177.77.X.0/24